

# PC-746

*Proyector de carril trifásico.*  
*LED Tracklight*

*Instalación:*

- *En carril trifásico*

*Installation:*

- *Three-phase track*



Proyector cilíndrico LED, iluminación uniforme, sin brillo, sin parpadeos.

Diseño moderno donde se consigue un alto grado de integración con espacios arquitectónicos.

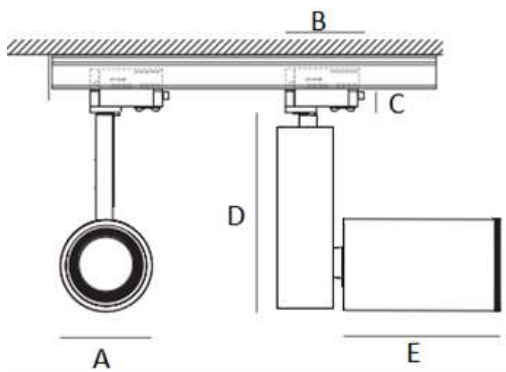
Ideal para aplicaciones de acento en espacios comerciales, escaparatismo y otros espacios de interior.

LED cylindrical projector, uniform illumination, without brightness, without flicker.

Modern design where a high degree of integration with architectural spaces is achieved.

Ideal for accent applications in commercial spaces, window dressing and other indoor spaces.

| Referencia<br><i>Reference</i> | Potencia<br><i>Power</i> | Voltaje<br><i>Voltage</i> | Frecuencia<br><i>Frequency</i> | FP<br><i>PF</i> | Ra<br><i>Ra</i> | THD<br><i>THD</i> | UGR<br><i>UGR</i> | Estanqueidad<br><i>Protection</i> |
|--------------------------------|--------------------------|---------------------------|--------------------------------|-----------------|-----------------|-------------------|-------------------|-----------------------------------|
| 746.020BC                      | 20W                      | AC 125-240V               | 50 / 60 Hz                     | > 0,90          | >80             | < 20%             | < 19              | IP 40                             |
| 746.020BN                      | 20W                      | AC 125-240V               | 50 / 60 Hz                     | > 0,90          | >80             | < 20%             | < 19              | IP 40                             |
| 746.030BC                      | 30W                      | AC 125-240V               | 50 / 60 Hz                     | > 0,90          | >80             | < 20%             | < 19              | IP 40                             |
| 746.030BN                      | 30W                      | AC 125-240V               | 50 / 60 Hz                     | > 0,90          | >80             | < 20%             | < 19              | IP 40                             |



| Referencia<br><i>Reference</i> | A      | B      | C     | D      | E      |
|--------------------------------|--------|--------|-------|--------|--------|
| 746.020BC                      | 100 mm | 205 mm | 45 mm | 150 mm | 136 mm |
| 746.020BN                      | 100 mm | 205 mm | 45 mm | 150 mm | 136 mm |
| 746.030BC                      | 100 mm | 205 mm | 45 mm | 150 mm | 136 mm |
| 746.030BN                      | 100 mm | 205 mm | 45 mm | 150 mm | 136 mm |

### Características:

- Cuerpo realizado en aluminio fundido a presión
- Angulo de apertura 24°
- Vida útil media: L70B10 30.000 horas
- Ra > 80
- FP > 0,90
- Iluminación uniforme, sin brillo, sin parpadeos
- Apto para conexión de 3 fases
- Diseño moderno, con disipador de calor integrado
- Grado de estanqueidad IP40

### Features:

- Body made of die-cast aluminum
- Opening angle 24°
- Average lifespan: L70B10 30,000 hours
- Ra > 80
- FP > 0.90
- Uniform illumination, without brightness, without flicker
- Suitable for 3 phase connection
- Modern design, with integrated heat sink
- IP40 sealing degree

### Datos lumínicos:

*Light data:*

|        | 746.020  |          | 746.030  |          |
|--------|----------|----------|----------|----------|
|        | LED      | Lum.     | LED      | Lum.     |
| 3000 K | 2.500 lm | 2.125 lm | 3.750 lm | 2.990 lm |
| 4000 K | 2.500 lm | 2.125 lm | 3.750 lm | 2.990 lm |

